

The Trixie Specifications

Weight:

75 kg

Frame:

Steel + Rayvolt Aluminum 6061

Battery Cover:

Removable Leather battery Bag

Grips:

Rayvolt Custom Leather Grips

Saddle:

Rayvolt Deluxe Genuine Leather Interior Leather Seats (optional)

Brakes:

Rayvolt Oil Disk Brakes with E-Regenerative 10A-50A

Crankset:

Rayvolt Two pieces Crankset

Pedals:

Flat Rayvolt Pedals

Chain:

KMC Gold Chain

Rims:

Double wall 24" x 40 mm Rear Rim
Double wall 20" x 40 mm Front Rim

Tires:

24" x 3.0 Rear Tire
20" x 3.0 Front Tire

Speed Control:

- PAS (Pedal Assist System)
- Thumb Throttle*
- Torque Sensor (optional)

E-Drive System:

Rayvolt EIVA® Drive

Motor

- Smart Hub 50 Nm - 250W
- Power Hub 100 Nm - 250W

Battery

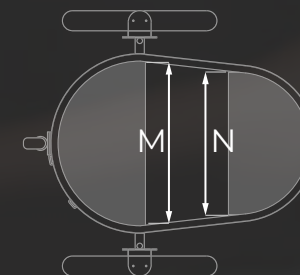
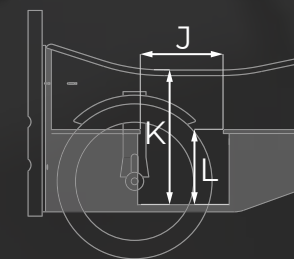
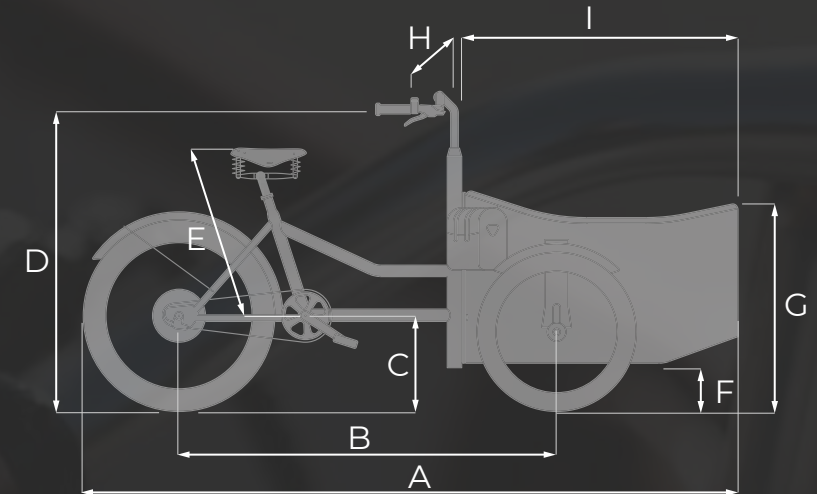
Life of 1000 cycles

- **Smart Battery** Samsung Li-ion Removable 48V 10.5Ah
Range of 60km
Charge time of 2,5 hours
- **Dual Battery** Samsung Li-ion Removable 48V 21Ah
Range of 80km
Charge time of 3 hours

*Depending on your country legislation

Dimensions:

2220 x 1605 x 926 mm



A	2220 mm
B	1278 mm
C	326 mm
D	1400 mm
E	550 mm
F	164 mm
G	690 mm
H	926 mm
I	928 mm
J	290 mm
K	475 mm
L	262 mm
M	570 mm
N	496 mm